



USER MANUAL

# Force 6000

Teeth Whitening Lamp



**TEETH WHITENING  
WHOLESALE**

## **AFTER SALES SERVICE AND SUPPORT**

Please read this user manual before using the Force 6000 to ensure correct settings are used.

If you experience difficulties with your Force 6000 please contact us for after sales support and service:-

Email | [us@teethwhiteningwholesale.com.au](mailto:us@teethwhiteningwholesale.com.au)

Telephone | +61 7 55 11 8216.

## Contents

<b>Chapter 1: At a glance</b>	<b>4</b>
Overview	5
Accessories	6
FORCE 6000 features and benefits	6
Technical specifications	7
<b>Chapter 2: Getting started</b>	<b>9</b>
Steps to assemble wheel base	9
Steps to assemble lamp	10
Steps to secure clamp	11
Steps to set the timer	11
Lamp operation during teeth whitening	12
<b>Chapter 3: Warnings</b>	<b>13</b>
Warnings	13
In case of emergency	13
<b>Chapter 4: Frequently asked questions</b>	<b>15</b>
<b>Appendices</b>	<b>24</b>
Appendix 1 – How to place the Force 6000 IC Card	25
Appendix 2 – Taking care of your lamp	26
Appendix 3 – Teeth Whitening procedure guide	27

This page has been intentionally left blank

## Chapter 1: At a glance

### OVERVIEW

The Force 6000 LED cold accelerator lamp is one of our most advanced teeth whitening lamps available in Australia today. The lamp is Ideal for both mobile teeth whitening and salons. When used in conjunction with our teeth whitening gels; and after completing our complimentary training will remove stubborn stains from the average person's teeth and a person with heavily stained teeth.

### Why use an accelerator lamp?

Using a LED teeth whitening machine accelerates the teeth whitening gel, causing it to react faster when breaking down stains. What this means for your client is what normally takes around 14 hours to achieve with whitening gel alone they can achieve in a one hour in-chair treatment. The use of the accelerator lamp speeds up the process of the molecular breakdown of the whitening gel which makes the oxidization of the stains occur more rapidly. Your client will get several benefits with the lamp process including:-

- only needing to stick to a white diet once, rather than over several weeks
- getting instant results, while clients using home treatments often get bored with the process before they attain maximum results.

## ACCESSORIES

Included with your Force 6000 is:-

*Item name*      *What can you do with it*

Smart card      The lamp is locked before use. To activate the lamp swipe the card.  
Swipe position is at the bottom of the lamp head.

Power adapter      Connect your lamp to a power outlet.

Glasses      Place eyewear on yourself and client to protect your eyes when the light is activated.

## FORCE 6000 FEATURES AND BENEFITS

### Features

- cool blue LED light technology has been researched and developed by our professional team
- wave length accelerates the oxidization process to quickly achieve whiter teeth
- semiconductor has a life span of approximately 50,000 hours
- built in smart card system includes security and customised settings
- LED lamp head has a unique design to ensure the light source has a rotating reach
- flexible tube can rotate 360 degrees
- all lamp parts are aluminium
- machine weight. 13kg.
- Audible timer with countdown
- Records total hours used
- Light weight, sturdy and easy to manoeuvre
- Wheelbase disassembles in minutes for easy transportation
- Superior technology for unsurpassed reliability

## Benefits:

- services back to back clients each day
- ideal for servicing clients with normal to *heavily* stained teeth such as smokers
- Easy to run and use control panel
- Sleek and stylish padded aluminium case on caster wheels designed to carry all lamp parts.
- Clean the LED head unit regularly to ensure that it remains clean to prevent cross infection and maintains hygiene standards
- The LED light should be 2-3 cm from client's teeth and not touching.

## TECHNICAL SPECIFICATIONS

**Weight** 13kg

**Input voltage** 100V-240V AC.50-60Hz

**Power** 36W

**Wavelength of blue light** 390-490nm

**Wavelength range** CE&UL certified for worldwide distribution

**Whiten time** Recommend: 3 x 20 minutes sessions per treatment

**One year warranty** <https://www.teethwhiteningwholesale.com.au/shippinginfo.html>

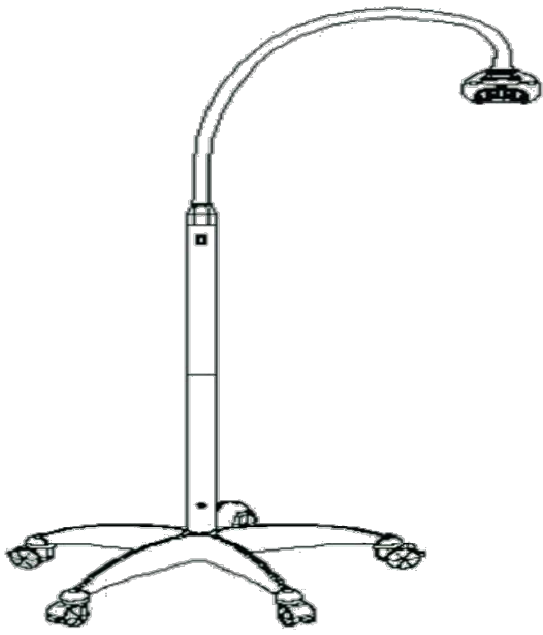


Fig 1. The Force 6000

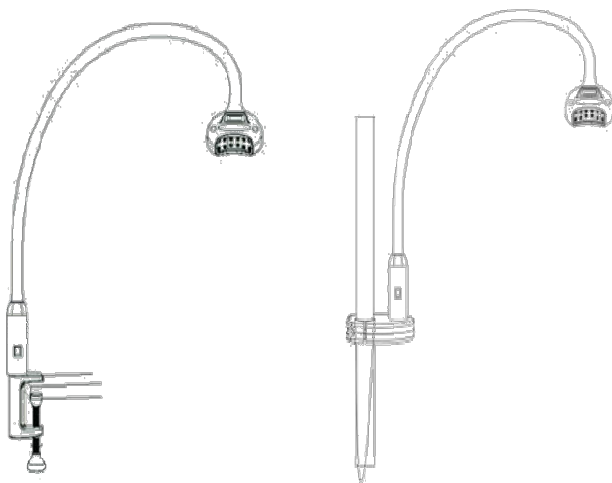


Fig 2. Force 6000 rotating head



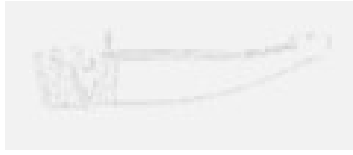
## Chapter 2: Getting started

### STEPS TO ASSEMBLE WHEEL BASE



**1**

View bottom of wheel arm and wheel base as shown on left of image above to insert the wheel arm into the wheel base.



**2**

Fix the wheel base and wheel arm together with screw supplied and tighten with a hex wrench in a clockwise direction.



**3**

Repeat Steps 1 and 2 to assemble and fix the other four wheel arms to the wheel base.

## STEPS TO ASSEMBLE LAMP

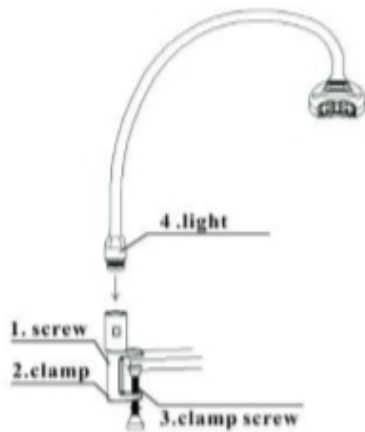


Fig 3. Light uni

1. Start with the protective strip (2) and wrap it around pole (1).
2. Put parts (3) and (4) into their correct position according to Fig 3 below.
3. Put the bolts (5) through the holes in part (4) and tighten the bolts into the main unit part (3)
4. Attach the light 6 to main part 3, screw clockwise to tighten.

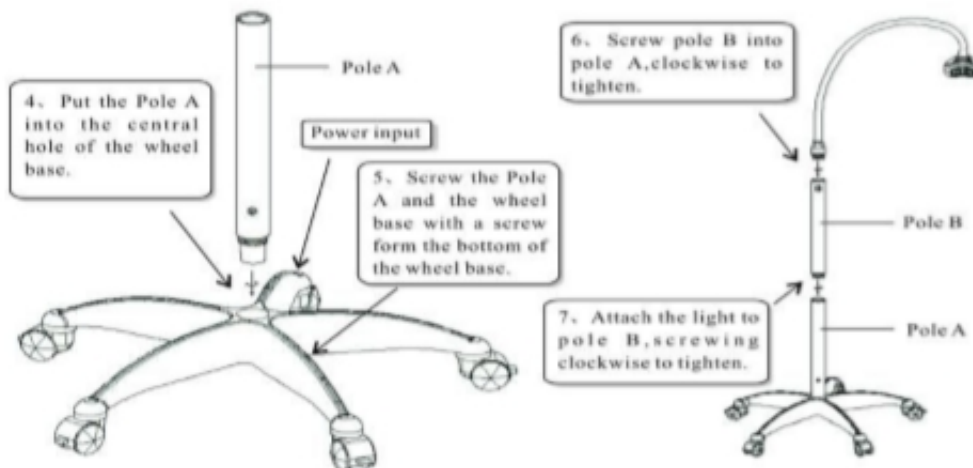
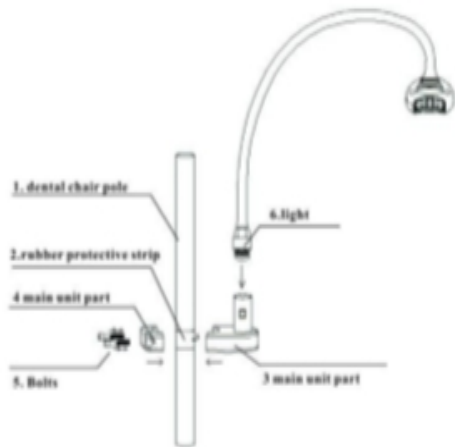


Fig 4. Main unit

## STEPS TO SECURE CLAMP



1. Secure clamp to a table. Move the clamp (3) into the desired position by tightening the clamp screw (4) clockwise to secure the clamp into place.

2. Screw the light (5) clockwise to tighten into the light connection (2).

Fig 5. Clamp

## STEPS TO SET THE TIMER

1. Connect power supply and start lamp with smart card. The swipe position is at the bottom of the lamp head.
2. Press ▲ or ▼ buttons to set the time.
3. Press || button to set and lock the time.
4. The numbers blinking on the display are (left to right) hours, minutes and seconds.
5. To set and finish press the ► button and the lamp will enter into the countdown automatically.



Fig 6. Timer

## LAMP OPERATION DURING TEETH WHITENING

1. Turn on the power and swipe the smart card. Press ► button to start the lamp. The system will be locked automatically after one treatment time
2. After the first treatment set the timer for a second treatment or restart by swiping the RF card (*see How to set Timer*)
3. Repeat Step 2 for third treatment
4. When treatment is completed press the black switch on the main unit and turn off the power.

## Chapter 3: Warnings

### WARNINGS

1. Use this device only for teeth whitening treatments
2. Do not stare at the lamp directly when in operation. Use protective glasses at all times when the machine is turned on to avoid harming your eyes.

### IN CASE OF EMERGENCY

If there is an emergency press **||** button on the unit and turn power off immediately by pressing the black switch on the main unit.

This page has been intentionally left blank

## Chapter 4: Frequently asked questions

Q What is teeth whitening?

A Teeth whitening restores the natural colour of the teeth by removing stains that have built up by lifestyle and diet.

Q Why do we need teeth whitening?

A As a person ages the adult teeth often become darker due to changes in the mineral structure of the teeth as the enamel becomes less porous. Teeth become stained by bacterial pigments, foods and beverages.

Teeth whitening expectations can be confusing when you see models on TV endorsing teeth whitening products who actually have veneers. Unfortunately there are also many results on social media that use photo filters and are not teeth whitening actual results. Teeth whitening businesses only share their very best results on social media so you are not seeing the results that are average or not so great. All of this can cause many clients to feel disappointed with their results.

Technique is as important as product. Some clients don't respond well for a variety of reasons including age, enamel condition and type of discoloration.

Q How safe is teeth whitening?

A We offer the latest whitening gel approved for use in Australia. We have a hygienic non-touch procedure. At NO time can you place your fingers in your client's mouth. Our gels are gentle and safe, problems are extremely rare.

Q Do you have the right expectations?

A Teeth Whitening does not give the client paper white teeth regardless of the level of peroxide used unless their teeth were that colour prior to staining. Movie star white teeth are often a result of porcelain veneers not teeth whitening. This does make it hard when there are ads on TV with models advertising teeth whitening products who don't have natural teeth.

It is an important part of the teeth whitening process to ensure your client has the right expectations prior to having a teeth whitening treatment. Some of your clients may be using home whitening products or toothpaste which may limit results as part of the process has

already been done.

Q Can I use a stronger gel?

A We offer the strongest gels available for use outside of a dental clinic in Australia and the highest grade equipment. When the process is done correctly most clients achieve maximum results in one treatment (that's 2/3 x 20 minute sessions) with our products which for the average person is 5-14 shades lighter. What this means is 5-14 shades is the average level of staining a person with an average diet and lifestyle has on the surface of their teeth, who hasn't had a whitening treatment for at least 12 months and hasn't been using home products.

Q What is the maximum result that can be achieved?

A Teeth whitening bleaches the stains on the surface of the teeth, it doesn't whiten enamel no matter who does it, even a dentist. This is the case no matter how strong the lamp is or how strong the peroxide is. Teeth with very little staining due to good diet or the use of home whitening treatments may not show as large a result. The more stained a person's teeth the greater the result will be. The whiter the persons teeth were originally the whiter the result that can be achieved. Each client will have unique results and will have a different start and post treatment shade and will lighten by a different number of shades.

We like to make sure all our clients have the right expectation about teeth whitening so they can pass this on to their clients. Our clients get the best results possible with teeth whitening; however it is important to remember results are very subjective as each individual is different.

Q Want to speed learn how to get the best possible results with our teeth whitening process?

A Here's how to get the best possible results:-

Store your gels in a cool dry place and don't allow gels to get hot at any time i.e. don't leave in the car. This is very important (if gel gets hot it will reduce its potency). Remove the product at least one hour prior to the treatment as cold gel will be less active and therefore less effective.

Ensure you are doing 2-3 x 20 minute sessions with the LED accelerator lamp directly in front of the clients mouth.

The first gel application must be completely removed from the teeth before reapplying the second treatment as any remaining inactive gel will prevent penetration of the fresh gel.

Ensure you apply the gel evenly on the teeth so you have an even coating over every tooth, not



too thin and not too heavy that it creates blobs of gel on teeth.

Make sure the LED accelerator lamp is as close to the clients mouth as possible without touching.

The client must be FULLY reclined during the entire treatment or they will drool and their saliva will dilute the gel from their teeth.

It is important to ensure that during the process the clients head remains straight and directly under the lamp as using a mobile phone or device will often result in the client moving their head and is best avoided.

Make sure the teeth are clean and dry with the oral wipe prior to the gel application.

Check the client has covered all the teeth to the gum line and in between the teeth.

To monitor results with the shade guide ensure you are taking before and after photos in the same light and at the same angle.

Check if your clients have been using any home treatments and/or if they have had a recent in-chair treatment as this will reduce the results.

Teeth whitening will only bleach stains on the surface of the teeth it will have no effect on intrinsic stains like dark shadows, dead nerves and tetracycline stains. Veneers and crowns will not whiten.

## ALLERGIES/REACTIONS/SENSITIVITY

Q What if I have a client that is allergic reaction can they use a non-peroxide whitening treatment?

A We would not recommend it as most bleaching agents break down in to elements including peroxide as they work.

Q What happens if a client has a reaction to the treatment?

A We have never had a serious reaction from our gels. The strength of the peroxide is within legal limits for non dental practitioners. If a client does have a reaction it is unlikely to be serious. In the unlikely event treatment is required our labelling is compliant with regulations which include a phone number for the Poisons Information Centre - 24 Hour Telephone Advice Line 13 11 26. Your starter kit includes a client consent form which combined with your insurance offers you protection from litigation.

Q What would you recommend for clients that have sensitive teeth?

A Clients who have sensitive teeth and know in advance have a couple of options to minimise the potential discomfort. You can suggest they use Sensodine toothpaste for a few days to a week before their treatment and for a few days after. You can also offer a non peroxide treatment which is gentler for these clients.

Q I have had clients get blisters inside their lips after the treatment, what can I do?

A Blisters can be avoided by ensuring the gel doesn't come in contact with the soft tissue of the mouth. We have found blister mainly occur in people with lip filler. We are not sure if this is due to a reaction with the products used in the filler or if it is simply because the lips are larger and more likely to come in contact with the gel on the teeth. When blisters do occur they usually heal in 2-3 days. Here are things to check to avoid blisters or sensitivity during the teeth whitening treatment:-

When the client applies the gel ensure they avoid the lips and gums. If they do get some on there have them remove it with a cotton tip.

Make sure the cheek retractor being used is large enough to keep the lips from touching the gel on the teeth.

Always make sure the client is fully reclined. If they are not fully reclined they can drool and this can wash the gel onto the soft tissue.

Make sure the client rinses thoroughly and brushes away any remaining gel with a tooth brush (no toothpaste) to ensure no gel is left in the mouth.

At the end of the treatment get the client to apply the vitamin e to the inner and outer area of their lips and gums.

Q What can I do to minimise blisters from occurring?

A There are a few things which can cause blisters generally the most common cause is getting gel on the lip. This can be avoided by using the correct size cheek retractor. If the clients lip is overhanging the teeth you may need to use a larger size. If any gel does get on the lip please ensure it is removed prior to activating the lamp.

The client attempting to talk with the cheek retractor in their mouth can also be problematic as this can cause the gel to get onto the lips causing a blister. Talking during the treatment will also

stimulate the glands in the cheeks and increase the saliva production which will dilute the gel. Colder weather and wind can also increase the incidents of blisters as clients often have chapped lips prior to the treatment.

The other causes of blisters can be from having lip tattoo or lip filler within 2 weeks prior to the treatment.

## CHEEK RETRACTORS

**Q** Some clients complain cheek retractors are uncomfortable. Also sometimes my clients top or bottom lip hangs over their teeth, what can I do about that?

**A** The cheek retractors can be uncomfortable but there are options to help. We provide a free small and large cheek retractor with kit orders of five or more. Use largest size possible to avoid the lip covering the teeth. If this occurs try a larger cheek retractor. If the cheek retractor is too tight or difficult to insert into the mouth try a smaller size. Silicone mouth trays are also available which are more comfortable and easier to insert but can reduce the results slightly.

## FLUOROSIS

**Q** Are fluorosis spots caused by teeth whitening and how long will it last?

**A** The client will have already had fluorosis teeth whitening will not cause this. The colour variation will always fade, generally in a few hours and it is unlikely it will last longer than 24 hours.

## GEL APPLICATION

**Q** Will my clients find it strange that they apply the gel?  
What will I say if they really want me to apply it?

**A** This is the process with all non dentists; just tell your client it is easier than painting their fingernails. It is simple to do and they can take their time. Unless you are a dentist you are not permitted to touch your client's mouth and you can not apply gel to their teeth.

**Q** Can the left over whitening gel pen be offered to the client as a home treatment?

**A** If they purchase a home kit you could give them the remaining gel but ideally it is better to

throw it away if they don't as a mouth guard is required to protect the soft tissue of the mouth.

**Q** How much gel do I apply to each tooth to get the best result? Should I be aiming to put a thin layer on each tooth or quite a thick layer as there is enough in each pen/syringe application for a decent layer?

**A** To get the best result you want an even layer of gel, not too thin but not so thick there are blobs otherwise the gel will drip on the soft tissue of the mouth. There is plenty of gel in the pen for 3 applications.

**Q** Is the gel to be removed between each 20 minute treatment, is this just done with the finger wipe or does the clients wash their mouths out with water?

Generally rinse with water and use the oral wipe to remove the rest. If necessary the client can use a tissue. It depends a little on the facilities you have available.

**Q** What is the best gel application? Pen or prefilled mouth tray?

The paint on peroxide pack with the gel pen is our most popular and effective treatment and will give your client the best possible results. Each pack contains everything you need to treat one client for a triple treatment. The packs are for single use on one client and all items are disposable so there is no sterilising for you to do or risk of cross infection.

The prefilled mouth tray contains non-peroxide gel and is used for clients that have sensitivity issues. There is one tray in each pack.

There are 10 treatments in the starter system. You are welcome to purchase more if you wish they range from \$16.95 each.

**Q** How long does hydrogen peroxide gel last and how do I store it?

**A** In general the shelf life of gels is around 12-24 months if stored correctly. We recommend storing your gels under 25 degrees to maximise the shelf life. Store in a cool dry area away from sunlight.

Refrigerating your gels will increase their longevity. If refrigerated remember to take the gels out of the fridge one hour before a treatment so that the gels come back to room temperature.

## TRAINING AND QUALIFICATIONS

Q Do you offer teeth whitening training and a certificate? Is it nationally recognised?

A When you order with us we provide you with access to our online training so you can be ready when your equipment arrives. We are here to support you with teeth whitening information, training, product knowledge and experience.

We provide you with a certificate and our training is nationally recognised by insurance companies such as Insurance Placement Solutions however no teeth whitening training is officially government accredited.

You will receive information on current regulations and insurance as well as comprehensive online training. We provide printable client consent forms, fact sheets and after care sheets. We also keep you updated with the latest client FAQ's and offer social medial promotional material to help you get the word out about your new service.

Q If I am asked what qualifications I have to offer teeth whitening, how do I answer?

A There are no official credentials for teeth whitening in Australia. Generally dentists receive vendor training just like you. Let your client know you have done a training course in self administered cosmetic teeth whitening and are insured to provide the procedure. (Make sure you have your insurance up to date at all times).

## TREATMENT TIMES

Q How many times per year can a client have an in-chair teeth whitening treatment?

A The ADIA recommend having a teeth whitening treatment up to 3 times a year. Performed this often however you may only need one 20 minute session for maximum results. The results achieved will not be as impressive and could be as little as one or two shades when done this regularly.

Q My client wants their teeth whiter, when can they have another teeth whitening treatment?

A There is no exact times given for the time in between a treatment, however about 3-4 months is as often as would be necessary. These times are a recommendation and not a rule so you can

be a little flexible.

Keep in mind your clients teeth will only whiten to the colour they were originally grown. Teeth whitening is a stain removal process and results are subjective as each client is different and so is their lifestyle. Your client will not necessarily be able to get the tooth colour they want as this may not be achievable with whitening. The paper white teeth seen on TV are actually veneers not natural teeth.

Q Why is peroxide whitening treatment done in 2 x 20 minute sessions instead of all at once?

A After about 20 minutes the peroxide gel 'peaks'. This means it has completed the reaction for that application and very little stain breakdown will occur from this point. This is why it is important to completely remove one application prior to applying the next one.

Q If you offer a third 20 minute session will the client's teeth lighten anymore?

A Teeth will only become lighter to the colour they were originally grown. With some clients a 3rd 20 minute session will whiten further but not always. This will only improve the results if there are still stains on the surface of the teeth.

Q What if the gel is left on longer than 20 minutes?

A Leaving it on slightly longer won't hurt but it is of little benefit. Keep in mind the cheek retractors are not very comfortable for your client so the less time they have to wear it the better. Leaving the gel much longer than necessary isn't just ineffectual but it can cause aggravation both to teeth and gums.

Q How often should my client come back for a maintenance treatment?

A Every 3-4 months is all that is required for maintenance. A top up treatment will only be beneficial if the client still has staining visible after the triple treatment.

## MOBILE CHAIRS

Q What colour are the mobile chairs?

A The mobile chairs *only* come in the colours displayed on our website.

## COST OF TEETH WHITENING

Q How much should I charge?

A Yes, \$150 – \$300 per session is the going rate. Check what your competitors are charging in your area and look to charge mid range between the middle and top end price. Around the 70% price point brings in the best quality clients. Pricing too cheap will only attract the sort of clients who are looking for whatever is cheap and free. These clients rarely become regular clients and are generally the type of client you don't want.

This page has been intentionally left blank



## Appendices

### APPENDIX 1 – HOW TO PLACE THE FORCE 6000 IC CARD

Note: Not all lamp modules come with an IC Card.



## **APPENDIX 2 – TAKING CARE OF YOUR LAMP**

1. Avoid getting hair, fibres and dirt in the LED light. We recommend covering the LED lights when NOT in use.
2. The light source is a semiconductor that has a long life expectancy.
3. If something unexpected happens when using the lamp please contact your supplier.
4. Your equipment has been tested and approved under Australian standards. Please do not disassemble the light head or the control system without speaking with one of our staff or consult your electrical engineer.

## APPENDIX 3 – TEETH WHITENING PROCEDURE GUIDE

### TEETH WHITENING PROCEDURE INFORMATION

1. Ensure your client has cleaned their teeth immediately prior to the appointment and that they bring their tooth brush with them.
2. Please begin by asking your client to read and signing the client consent form.
3. Work with your client to select the current tooth shade based on the darkest tooth.
4. Provide your client with the professional whitening kit containing:-

3 x Finger Wipes, 1 x Vitamin E Swab, 1 x Applicator Gel Pen, 1 x Cheek Retractor, 2 x Bib.

5. Have your client put on the bib mat absorbent side up.
6. Show your client how to insert the cheek retractor into mouth ensuring that the curved flanges go inside the cheeks with the arch facing up! like a smile, see below.
7. Have your client rub front of teeth with finger wipe, with blue side towards the teeth. Discard when finished.
8. Twist the handle on the Applicator pen until a bead of gel extrudes onto the brush tip. Using a hand held mirror, ask your client to dab the bead of gel onto one tooth at a time and spread the gel evenly as close as possible to the gum line but avoiding the gum. Repeat until all visible teeth are completely covered.
9. Offer the safety glasses and FULLY RECLINE your client for 20 minutes while the led light works its magic. If pain or irritation occurs ask them to rinse immediately.
10. Ask your client remove the cheek retractor and rinse using their toothbrush to remove any remaining gel from their teeth.
11. Use vitamin E swab if gum irritation occurs, snap head at red line, allow liquid to drain into the opposite head of the swab and rub over gums.
12. Repeat steps 5-10. You can do 2-3 treatments in the one visit if required to achieve maximum results.
13. Select your client's new whiter brighter shade and give them a copy of the aftercare sheet.

**# PLEASE NOTE:** Fluorosis (white blotches on teeth) following the procedure will disappear within 1-24 hours. Whitening will not remove Tetracycline stains.

**# AFTERCARE:** Following the whitening treatment instruct your client to avoid staining beverages as much as possible, including coffee, tea, red wine, colas, and citrus beverages. If you must consume these, it is highly recommended to do so through a straw.

