



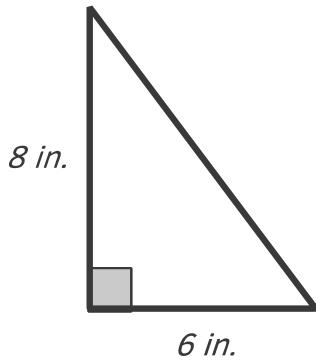
Name: _____ Date: _____ Score: _____

GEOMETRY

Find the area of right triangles, other triangles, special quadrilaterals, and polygons by composing into rectangles or decomposing into triangles and other shapes; apply these techniques in the context of solving real-world and mathematical problems.

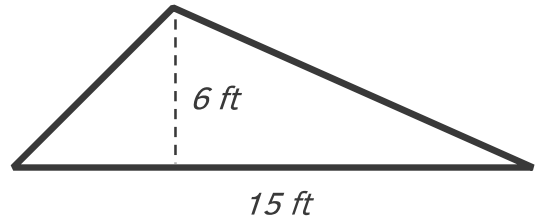
6.G.1

1 Find the area of the right triangle.



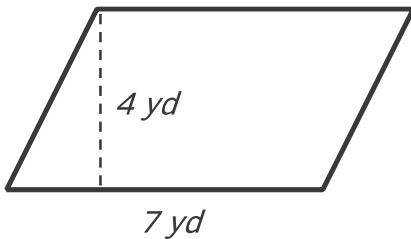
Answer: _____

2 Find the area of the obtuse triangle.



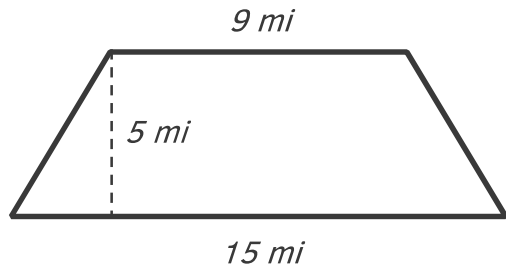
Answer: _____

3 Find the area of the parallelogram.



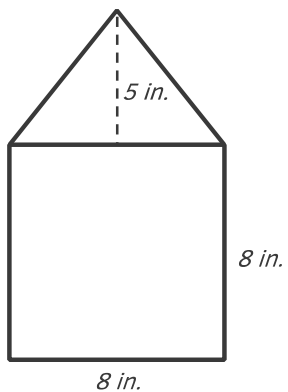
Answer: _____

4 Find the area of the trapezoid.



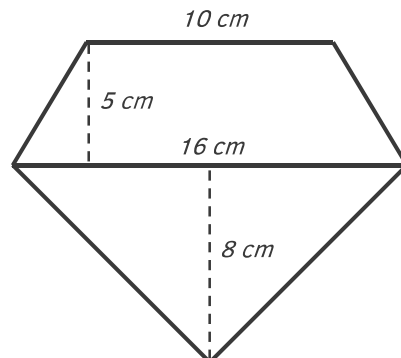
Answer: _____

5 Find the area of the composite shape.



Answer: _____

6 Find the area of the composite shape.



Answer: _____