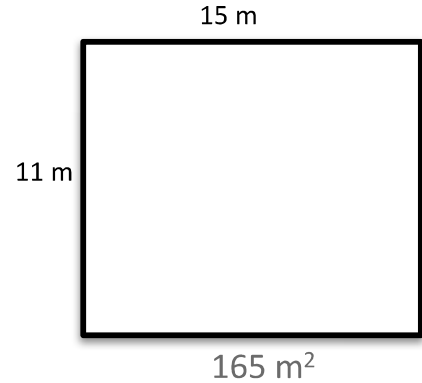
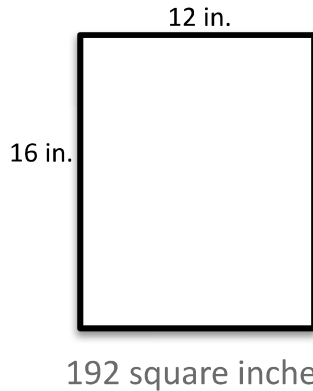
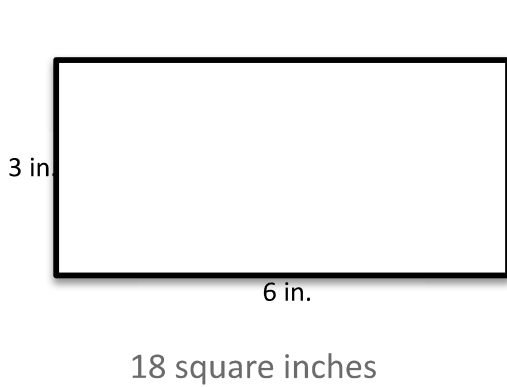


Name: \_\_\_\_\_

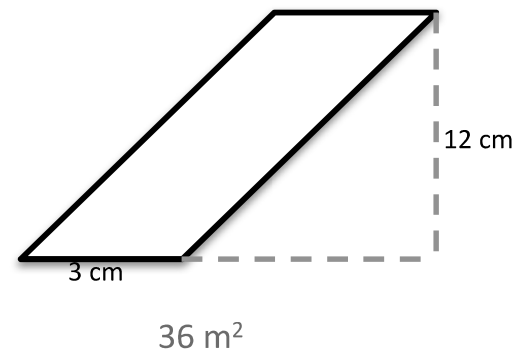
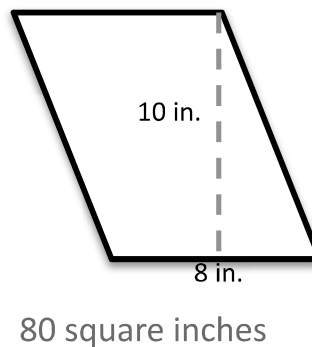
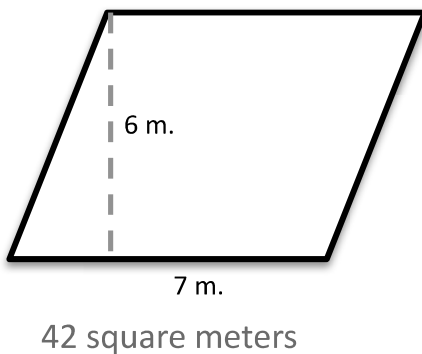
Date: \_\_\_\_\_

# Area of Rectangles and Parallelograms

1. The area of a polygon is the amount of surface it covers.
2. To find the area of a rectangle, multiply the base by the height.
3. The algebraic formula is:  $A=bh$
4. Area is measured in square units.
5. Find the area of each rectangle below:



6. The area of a parallelogram is the product of its base and its height.
7. The algebraic formula is:  $A=bh$ .
8. Find the area of each parallelogram below:



Name: \_\_\_\_\_

Date: \_\_\_\_\_

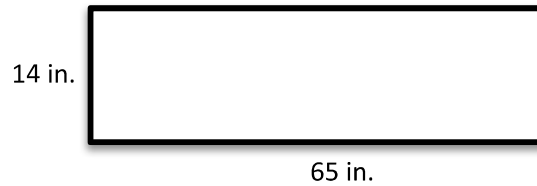
# Practice: Area of Rectangles and Parallelograms

#1 What is the area of a square with a side length of 3 cm?  
9 cm<sup>2</sup>

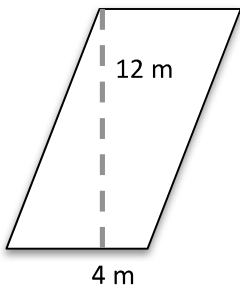
#2 What is the area of a rectangle with a base of 22 inches and a height of 15 inches?  
330 in<sup>2</sup>

#3 What is the area of a parallelogram with a base of 100 cm and a height of 50 cm?  
5,000 cm<sup>2</sup>

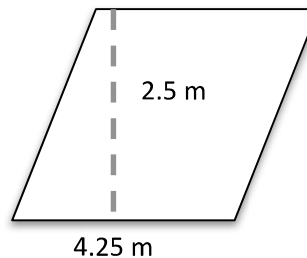
#4 Find the area of the figure below:  
910 in<sup>2</sup>



#5 Find the area of the figure below:  
48 m<sup>2</sup>



#6 Find the area of the figure below:  
10.625 m<sup>2</sup>



#7 Christopher is helping paint the set for the school play. He has to paint a wooden parallelogram with a base of 7 feet and a height of 14 feet. What is the area of the surface that Christopher must paint?  
98 ft<sup>2</sup>